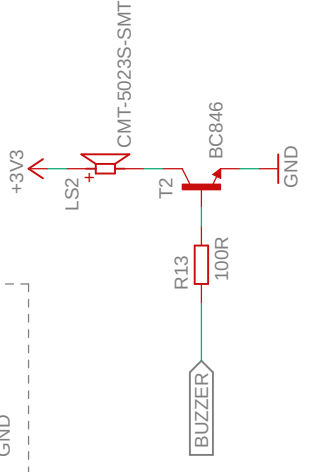
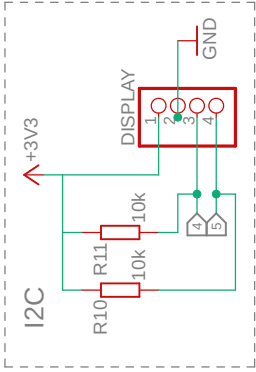
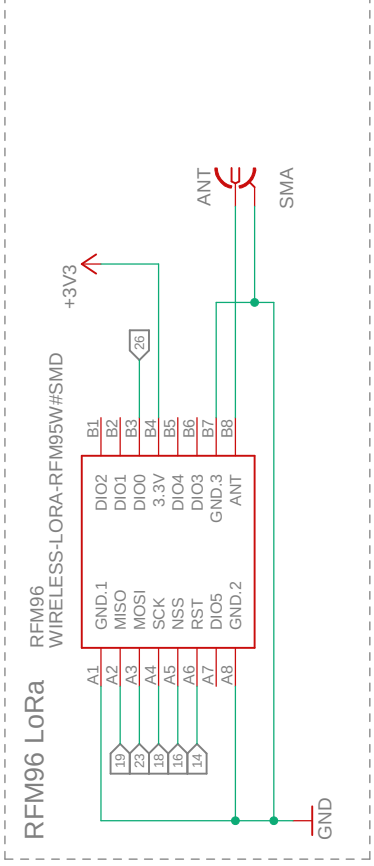
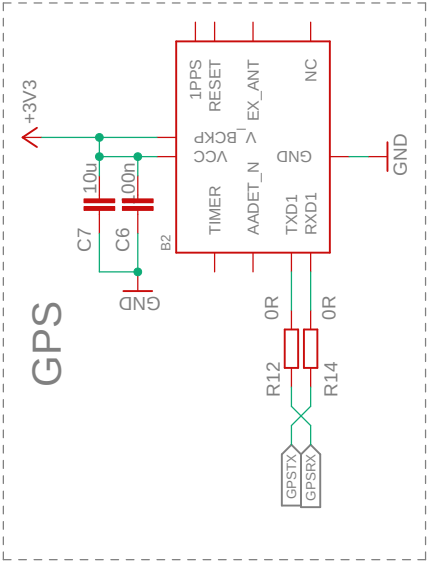
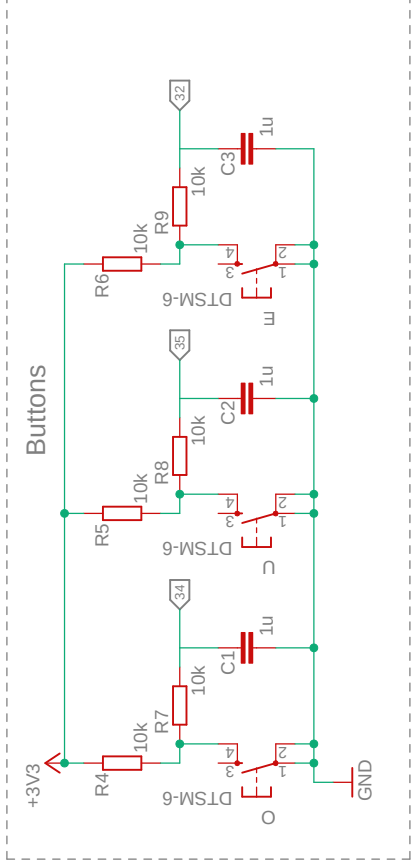
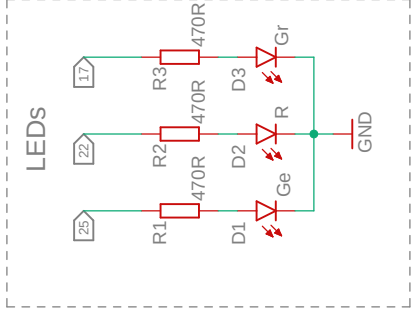
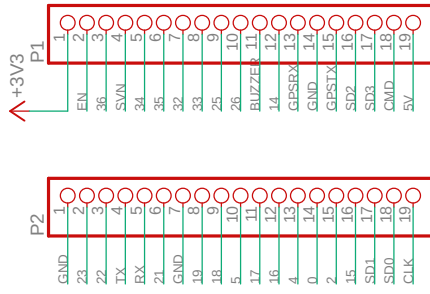


Connection to ESP32 board



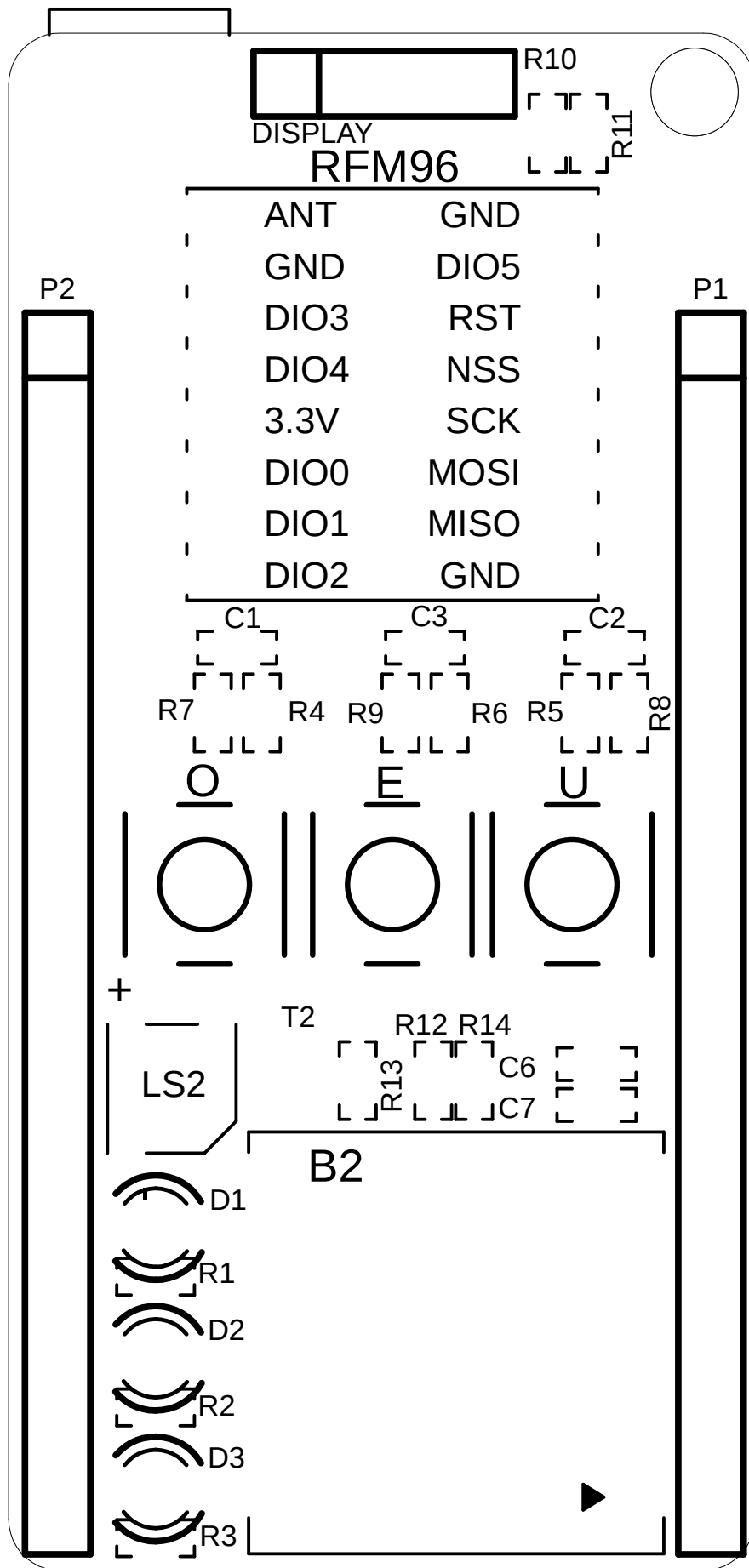
TITLE: LoRa Tracker D V2.2

Document Number:

REV:

Date: nicht gespeichert!

Sheet: 1/1



Part	Value	Device	Package
ANT	SMA	SMA	SMA1
B2	QUECTEL_L-80	QUECTEL_L-80	L-80
C1	1u	C-EUC0603	C0603
C2	1u	C-EUC0603	C0603
C3	1u	C-EUC0603	C0603
C6	100n	C-EUC0603	C0603
C7	10u	C-EUC0603	C0603
D1	Ge	LED3MM	LED3MM
D2	R	LED3MM	LED3MM
D3	Gr	LED3MM	LED3MM
DISPLAY		PINHD-1X4	1X04
E	DTSM-6	DTSM-6	DTSM-6
LS2	CMT-5023S-SMT	CMT-5023S-SMT	CUI_CMT-5023S-SMT
O	DTSM-6	DTSM-6	DTSM-6
P1		PINHD-1X19	1X19
P2		PINHD-1X19	1X19
R1	470R	RESISTORSR0603_CUSTOM	R0603
R2	470R	RESISTORSR0603_CUSTOM	R0603
R3	470R	RESISTORSR0603_CUSTOM	R0603
R4	10k	RESISTORSR0603_CUSTOM	R0603
R5	10k	RESISTORSR0603_CUSTOM	R0603
R6	10k	RESISTORSR0603_CUSTOM	R0603
R7	10k	RESISTORSR0603_CUSTOM	R0603
R8	10k	RESISTORSR0603_CUSTOM	R0603
R9	10k	RESISTORSR0603_CUSTOM	R0603
R10	10k	RESISTORSR0603_CUSTOM	R0603
R11	10k	RESISTORSR0603_CUSTOM	R0603
R12	OR	RESISTORSR0603_CUSTOM	R0603
R13	100R	RESISTORSR0603_CUSTOM	R0603
R14	OR	RESISTORSR0603_CUSTOM	R0603
RFM96	WIRELESS-LORA-RFM95W#SMD	WIRELESS-LORA-RFM95W#SMD	WIRELESS-LORA-RFM95W#SMD
T2	BC846	BC846	SOT23
U	DTSM-6	DTSM-6	DTSM-6