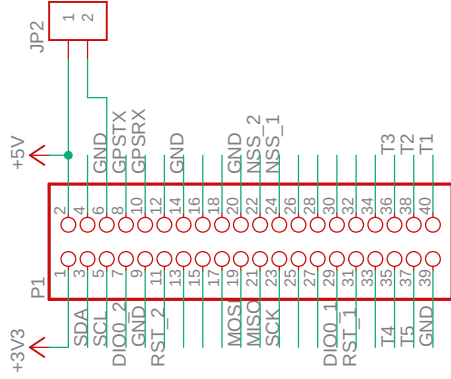
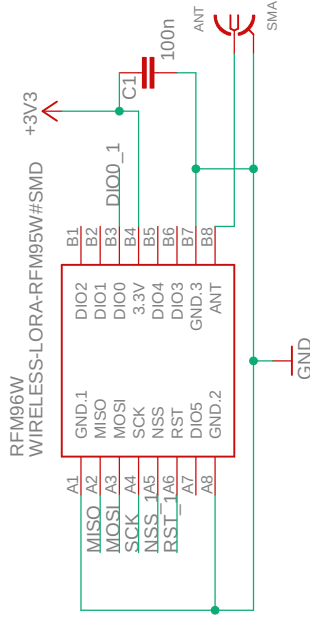


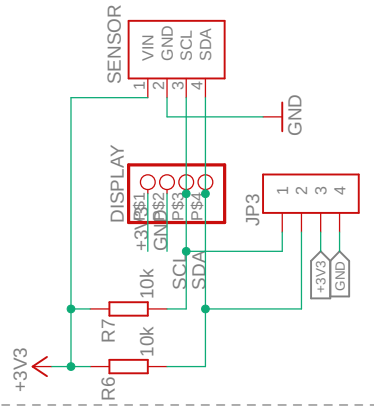
### Connection to PiZero



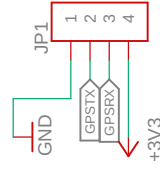
### LoRa-Module



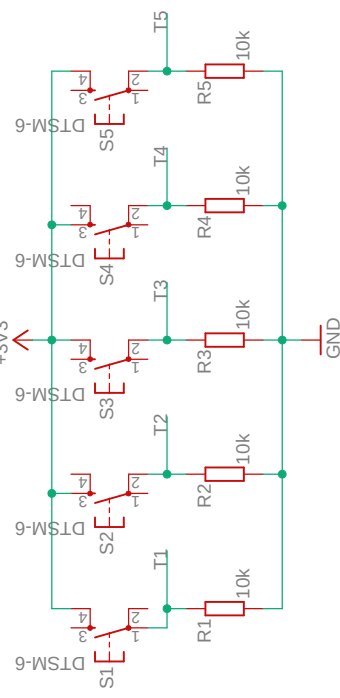
### I2C



### GPS



### Buttons



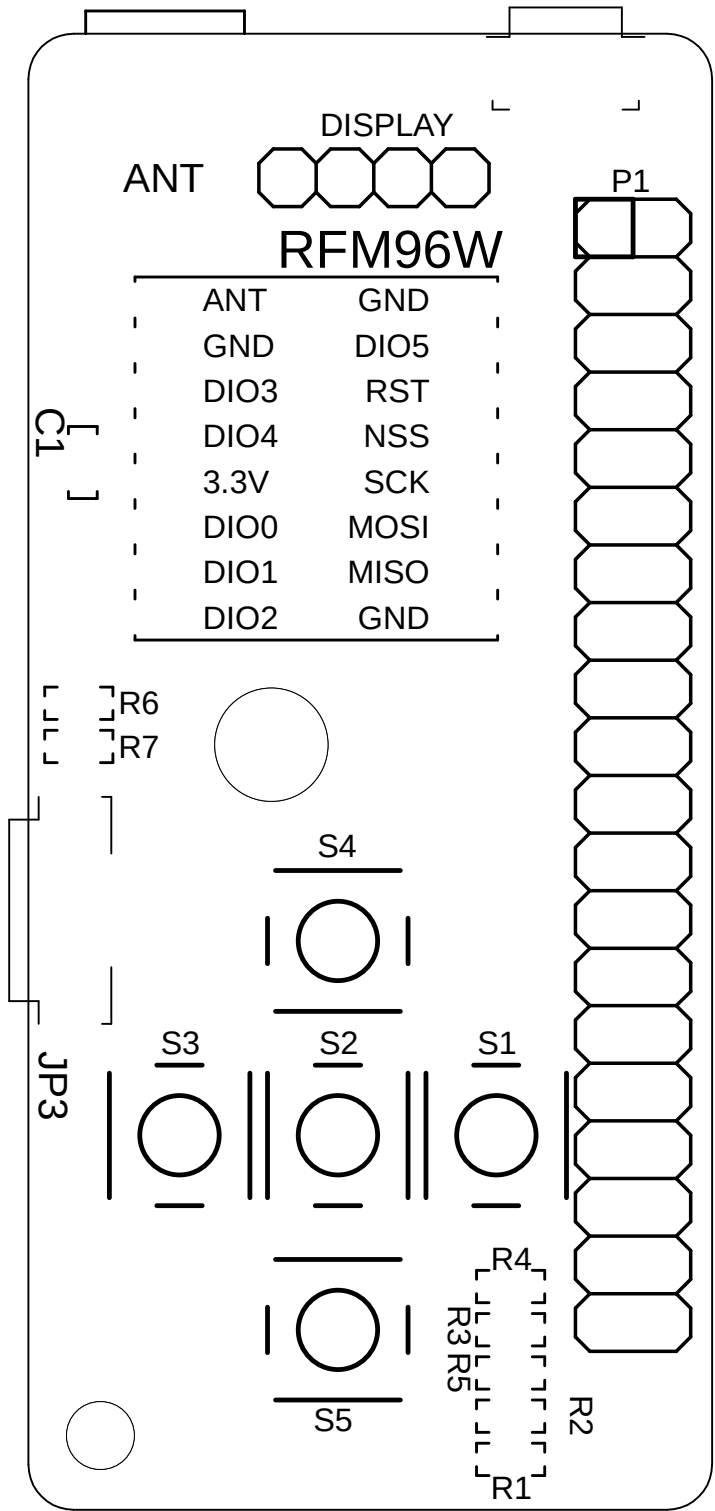
TITLE: GatewayV V3.0

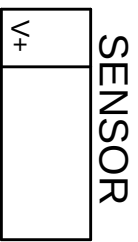
Document Number:

REV:

Date: 15.01.2020 11:35

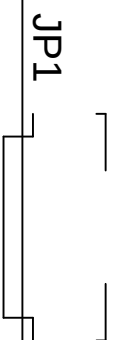
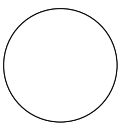
Sheet: 1/1





# LoRa Gateway V3.0

oe1acm  
oe1cgc



| Part    | Value                        | Device                       | Package                  |
|---------|------------------------------|------------------------------|--------------------------|
| ANT     | SMA                          | SMA                          | SMA1                     |
| C1      | 100n                         | C                            | C0603                    |
| DISPLAY |                              | PINH-1X4                     | 1X04                     |
| JP1     | JST_MICRO_4P1                | JST_MICRO_4P1                | JST_MICRO_4P_SMD         |
| JP2     | JST_MICRO_2PJST_MICRO_2P_SMD | JST_MICRO_2PJST_MICRO_2P_SMD | JST_MICRO_2P_SMD         |
| JP3     | JST_MICRO_4P1                | JST_MICRO_4P1                | JST_MICRO_4P_SMD         |
| P1      |                              | PINH-2X20                    | 2X20                     |
| R1      | 10k                          | RESISTORSR0603_CUSTOM        | R0603                    |
| R2      | 10k                          | RESISTORSR0603_CUSTOM        | R0603                    |
| R3      | 10k                          | RESISTORSR0603_CUSTOM        | R0603                    |
| R4      | 10k                          | RESISTORSR0603_CUSTOM        | R0603                    |
| R5      | 10k                          | RESISTORSR0603_CUSTOM        | R0603                    |
| R6      | 10k                          | RESISTORSR0603_CUSTOM        | R0603                    |
| R7      | 10k                          | RESISTORSR0603_CUSTOM        | R0603                    |
| RFM96W  | WIRELESS-LORA-RFM95W#SMD     | WIRELESS-LORA-RFM95W#SMD     | WIRELESS-LORA-RFM95W#SMD |
| S1      | DTSM-6                       | DTSM-6                       | DTSM-6                   |
| S2      | DTSM-6                       | DTSM-6                       | DTSM-6                   |
| S3      | DTSM-6                       | DTSM-6                       | DTSM-6                   |
| S4      | DTSM-6                       | DTSM-6                       | DTSM-6                   |
| S5      | DTSM-6                       | DTSM-6                       | DTSM-6                   |
| SENSOR  | BME280-MODULE                | BME280-MODULE                | BME280-MODULE            |